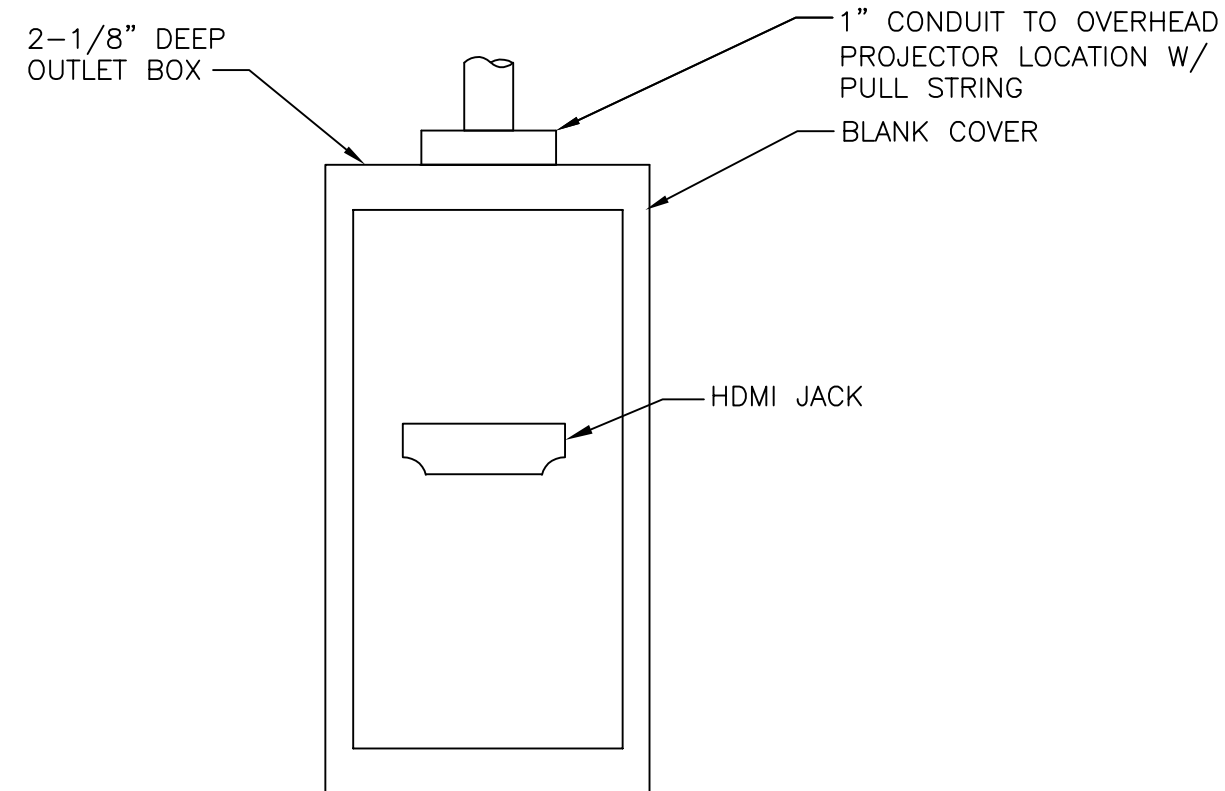
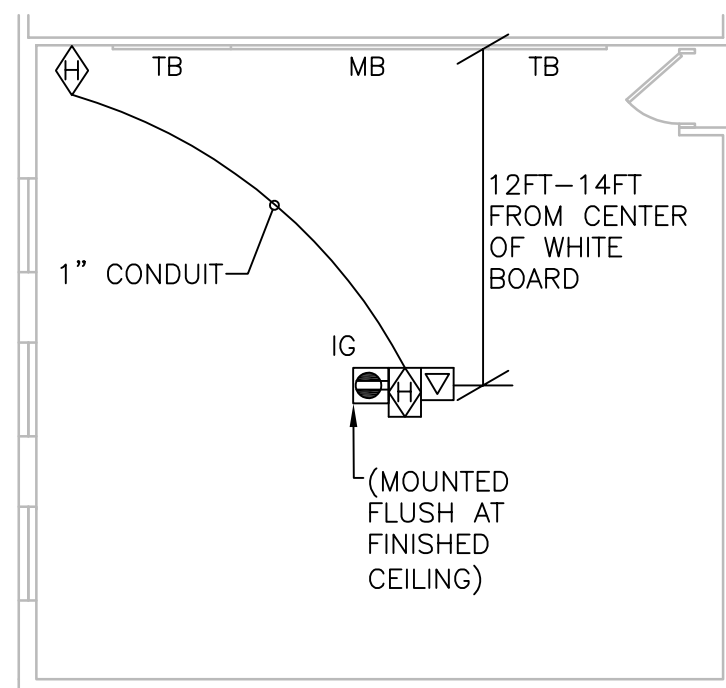


CEILING MOUNTED PROJECTOR OUTLET



TEACHER STATION OUTLET



NOTES:

1. OVERHEAD PROJECTOR PROVISIONS. PROVIDE 1-INCH CONDUIT WITH HDMI CONNECTIVITY TO TEACHER STATION OUTLET.
2. LOCATE OUTLET ADJACENT AND ALIGNED WITH TEACHER STATION OUTLET.
3. LOCATE OUTLETS ADJACENT TO AND ALIGNED WITH ISOLATED GROUND RECEPTACLES.
4. COLOR CODE CABLE AND JACKS.
5. LABEL FACEPLATE OR TEACHER STATION OUTLET: "TO OVERHEAD PROJECTOR."
6. WHERE HDMI CONNECTION CAN BE IN SAME JUNCTION BOX AS DATA JACK, DEDICATED HDMI SINGLE GANG BOX CAN BE REMOVED.
7. INSTALL PROJECTOR INFRASTRUCTURE DEVICES BETWEEN 12FT AND 14FT FOR ROOM SIZES BETWEEN 15FT AND 40FT LONG.

CHICAGO PUBLIC SCHOOLS CAPITAL IMPROVEMENT PROGRAM INFORMATION TECHNOLOGY SERVICES INFRASTRUCTURE STANDARDS CEILING MOUNTED PROJECTOR DETAILS				SHEET NO. ED.006
DESIGNED CPS	PROJECT NUMBER	SCALE NTS	DATE 12/19/17	
DRAWN CPS				
CHECKED CPS				
APPROVED CPS				
NO.	DATE	REVISION	BY	